

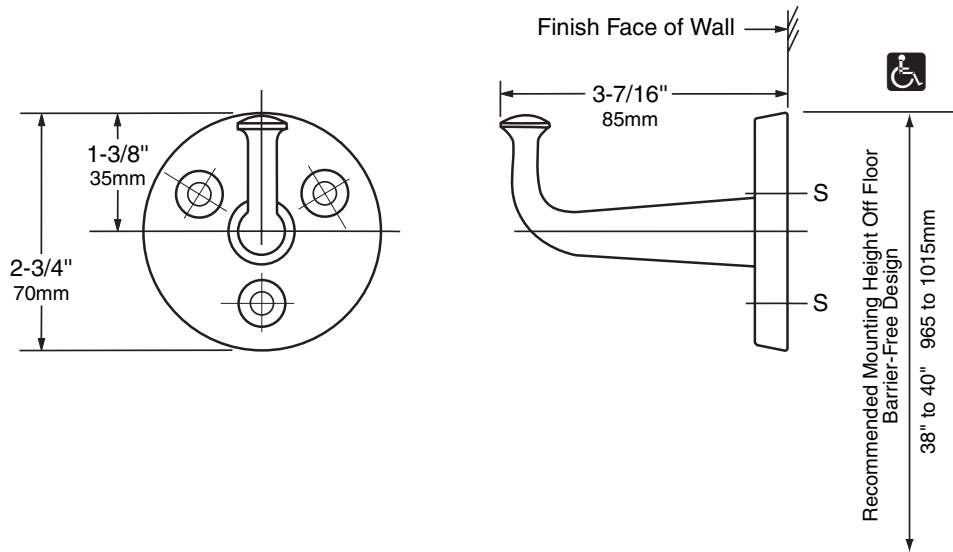


Technical Data

HEAVY-DUTY CLOTHES HOOK

with Exposed Mounting

B-211



MATERIALS:

Hook and Flange — One-piece brass casting with satin nickel-plated finish. Withstands 300-lb (136-kg) downward pull if properly installed.

INSTALLATION:

Mount unit on wall with three sheet-metal screws, furnished by manufacturer, at points indicated by an S. For plaster or dry wall construction, provide concealed backing to comply with local building codes, then secure hook with screws furnished. For other wall surfaces, provide fiber plugs or expansion shields for use with screws furnished, or provide toggle bolts or expansion bolts.

SPECIFICATION:

Heavy-duty robe hook shall be one-piece brass casting with satin nickel-plated finish. Hook shall withstand 300-lb (136-kg) downward pull when properly installed. Manufacturer's service and parts manual shall be provided to the building owner/manager upon completion of project.

Heavy-Duty Robe Hook shall be Model B-211 of Bobrick Washroom Equipment, Inc., Clifton Park, New York; Jackson, Tennessee; Los Angeles, California; Bobrick Washroom Equipment Company, Scarborough, Ontario; Bobrick Washroom Equipment Pty. Ltd., Australia; and Bobrick Washroom Equipment Limited, United Kingdom.